

# Specifications

# Trimble Zephyr 3 Rugged Antenna

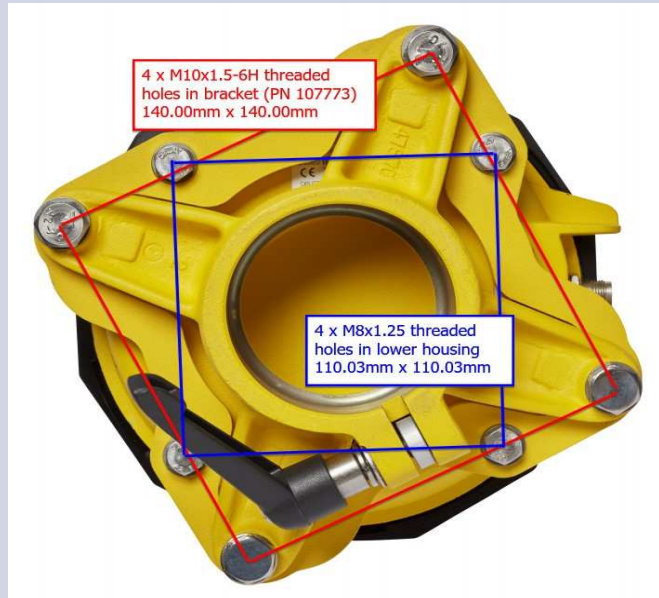


	<b>Trimble Zephyr™ 3 Rugged</b>
Frequencies	GPS/QZSS/SBAS L1, BDS B1, 1551-1585 MHz GLN G1, 1590-1605 MHz GPS/QZSS L2, GLN G2, 1217-1257MHz GPS/QZSS/SBAS L5, GAL E5, BDS B2, 1164-1214 MHz GAL E6, QZSS LEX, 1260-1300 MHz MSS, 1525-1559 MHz
Signal Tracking	GPS, GLONASS, BeiDou, Galileo, QZSS, MSS (xFill, RTX, OmniStar), SBAS
Dimensions	Ø 193 mm x 60 mm H (Ø 7.60" x 2.36" H)
Weight	1.08 kg (2.38 lbs)
Antenna cable connector	TNC. Sealed
Operating temperature	-40 °C to +85 °C (-40 °F to 185 °F)
Storage temperature	-50 °C to +85 °C (-58 °F to 185 °F)
Environmental	Shock: 75 G, 6 ms Vibration: 20.4 gRMS Bouyant
Humidity	IP69K, +/- 5 psi sealing. Spray per IEC 60945
Feed	
LNA(Low Noise Amplifier) input	3.5 V DC – 20 V DC (125 mA max)
H-Field input (MSK)	
LNA(Low Noise Amplifier) gain	L1 50 dB / L2 50 dB
Power handling	
Antenna compliance	CE compliant including ISO13766:2006, 2014/45/EU (RED), EN 60950, E-Mark and RoHS. FCC, IC, and RCM compliant.
Phase stability	<2 mm
L1, Antenna Phase Centre (APC)	Bottom of antenna for direct mounting - 0.0589 m Bottom of 5/8"-11 UNC thread mount bracket - 0.0843 m Top of mast when using quick release mast mount bracket - 0.0716 m
Mounting	Direct mount (4xM8X1.25X11 threaded holes) 5/8"-11 UNC thread mount (PN 107774) 4-Hole M10X1.5-6H threaded holes (PN 107773) Mast mount (Requires PN 107773)

# Specifications

# Trimble Zephyr 3 Rugged Antenna

Notes:



Specifications subject to change without notice.

© 2018, Trimble. All rights reserved. Trimble, and the Globe & Triangle logo are trademarks of Trimble, registered in the United States and in other countries. All other trademarks are the property of their respective owners. PN 022482-3907

**Trimble Civil Engineering and Construction Division** Trimble Authorized Distribution Partner

10368 Westmoor Drive  
Westminster, Colorado 80021

USA

800-361-1249 (Toll Free)

+1-937-245-5154 Phone

+1-937-233-9441 Fax

[www.trimble.com](http://www.trimble.com)